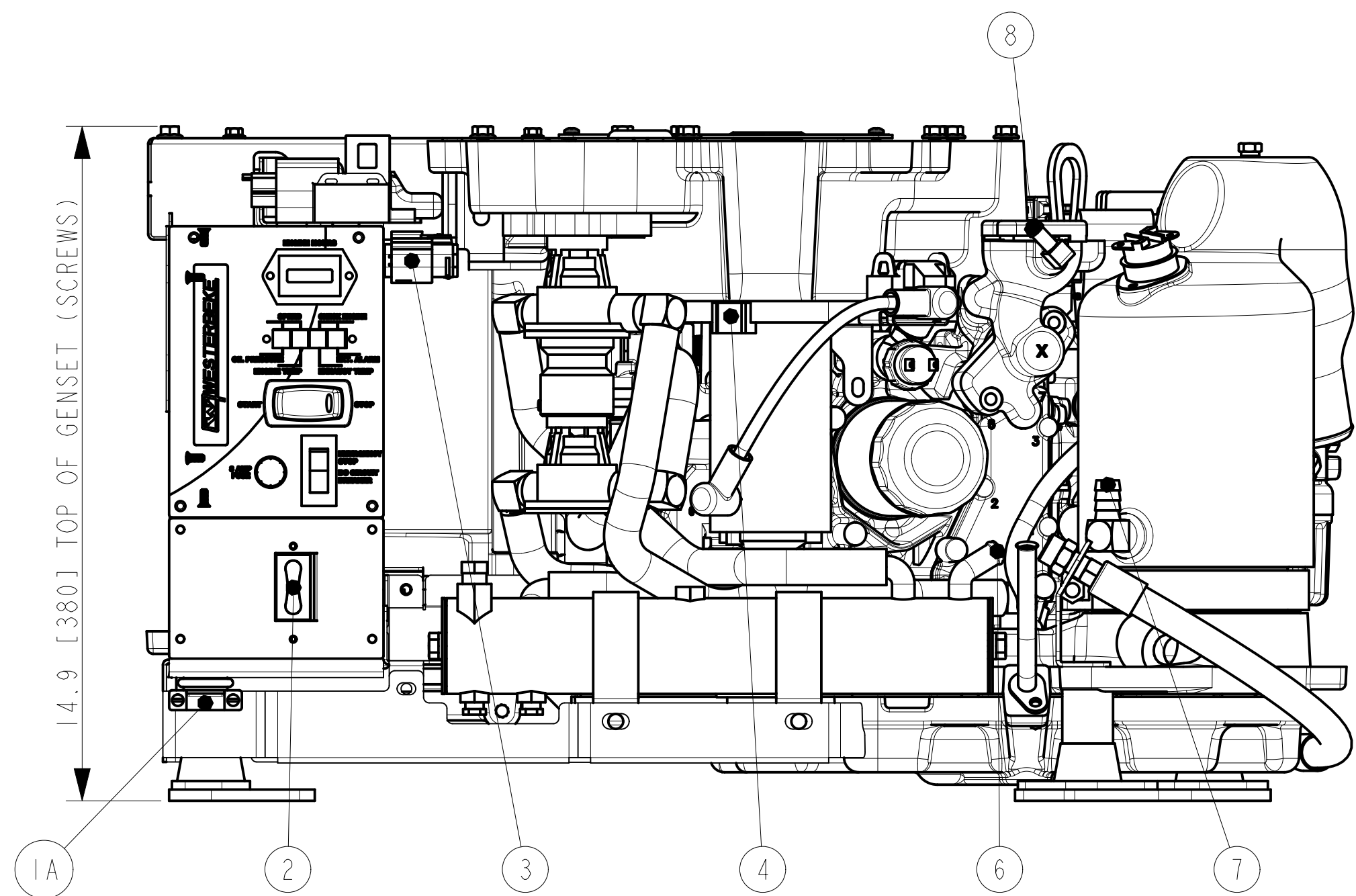
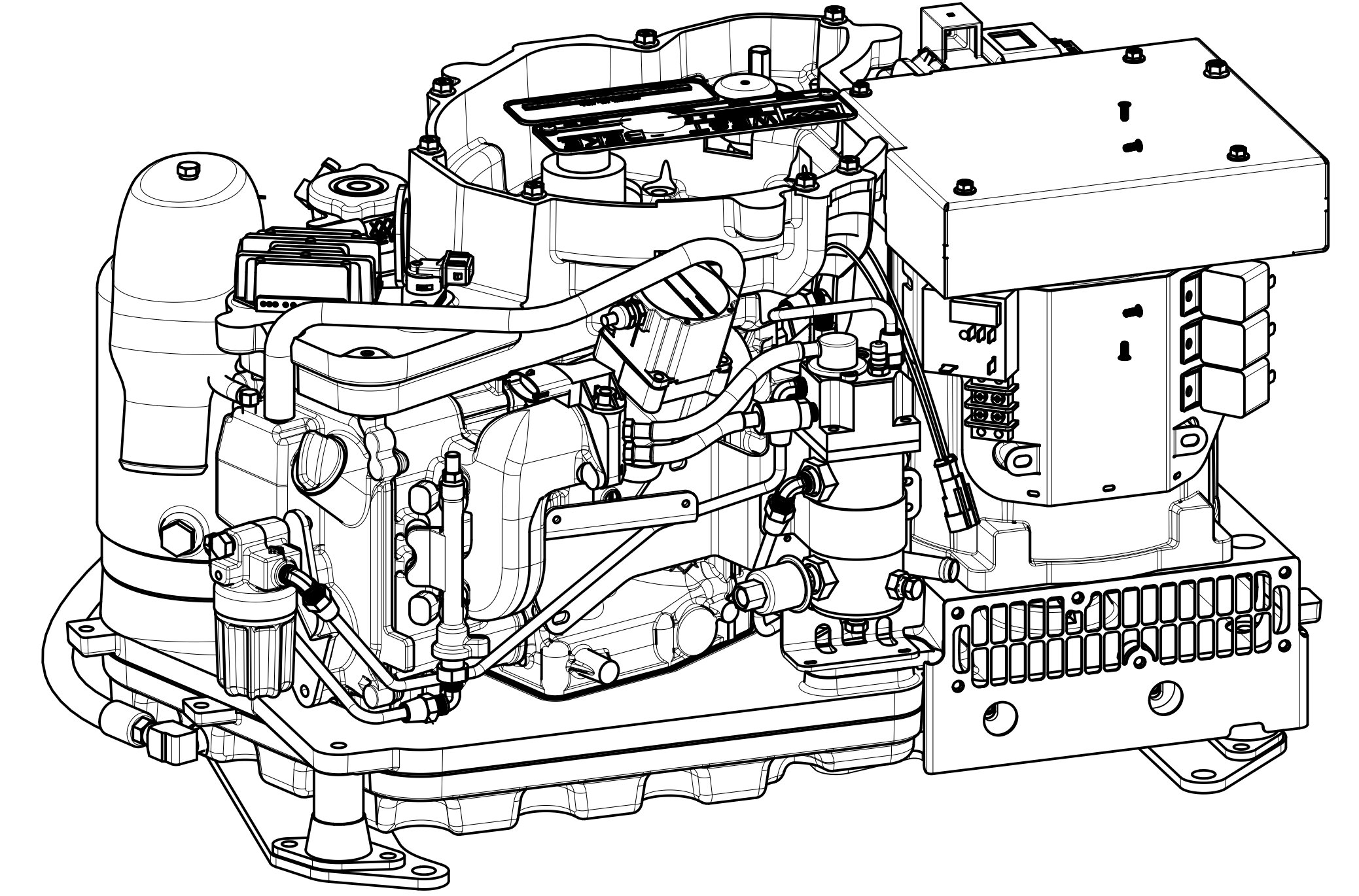
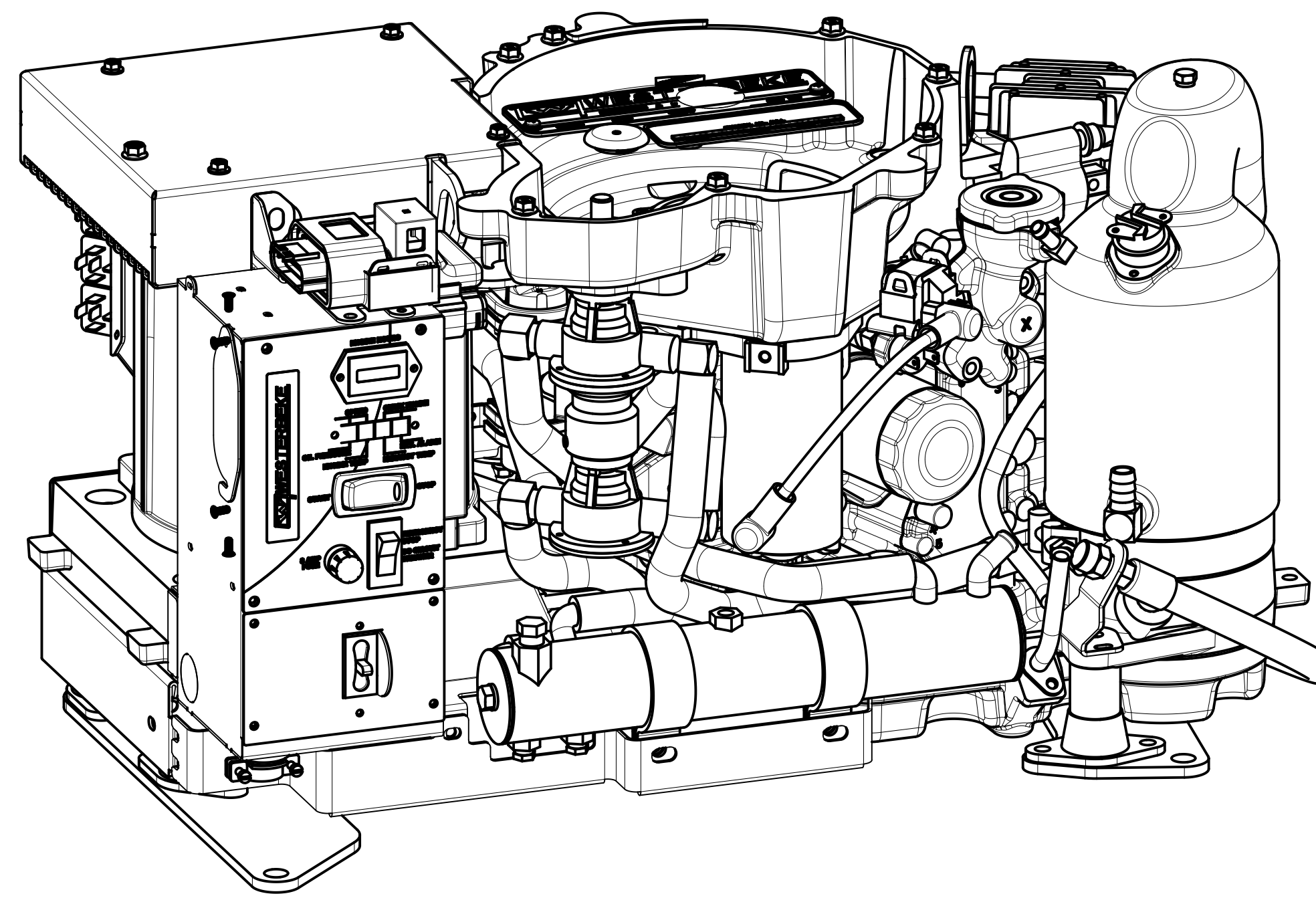
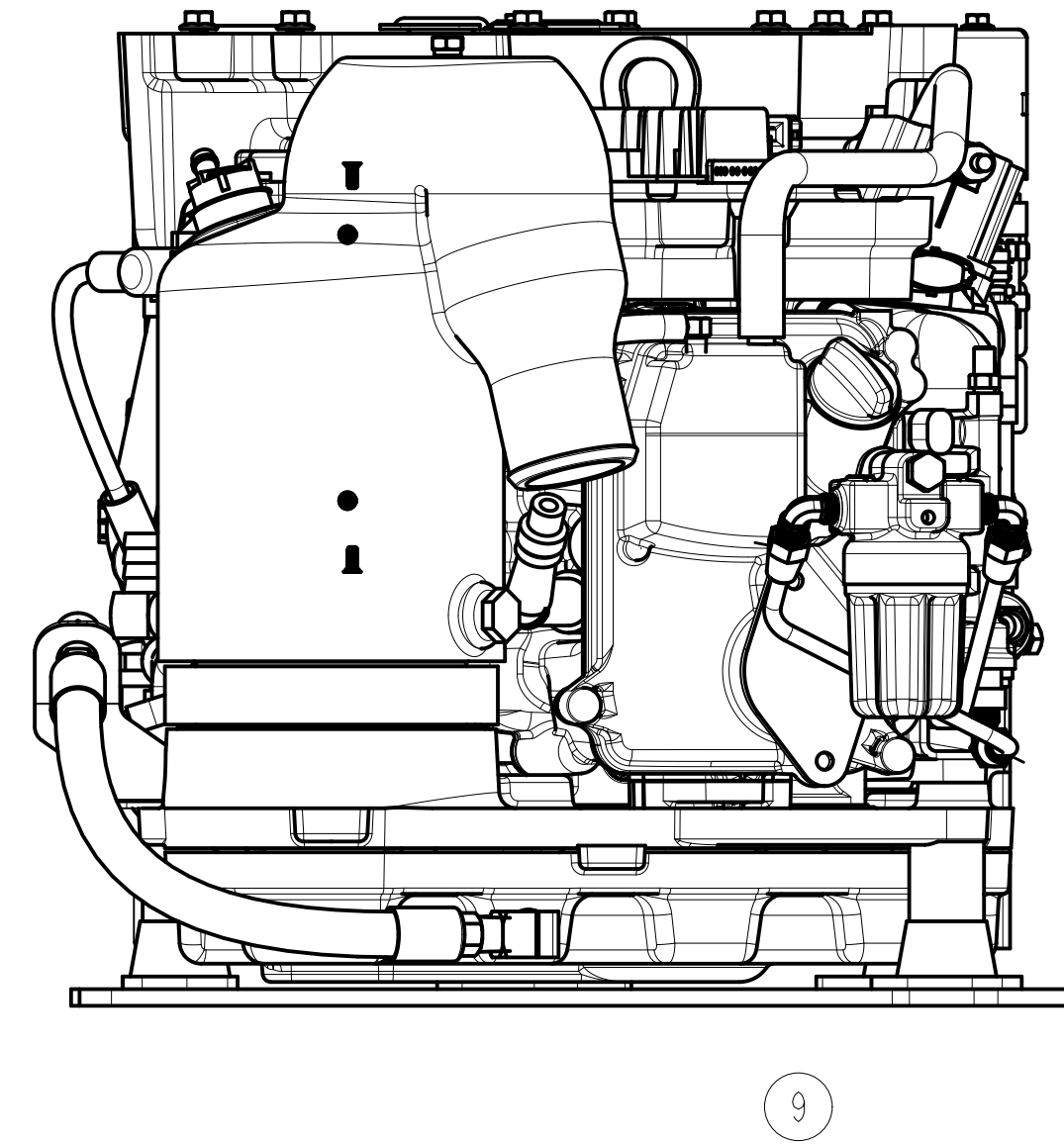


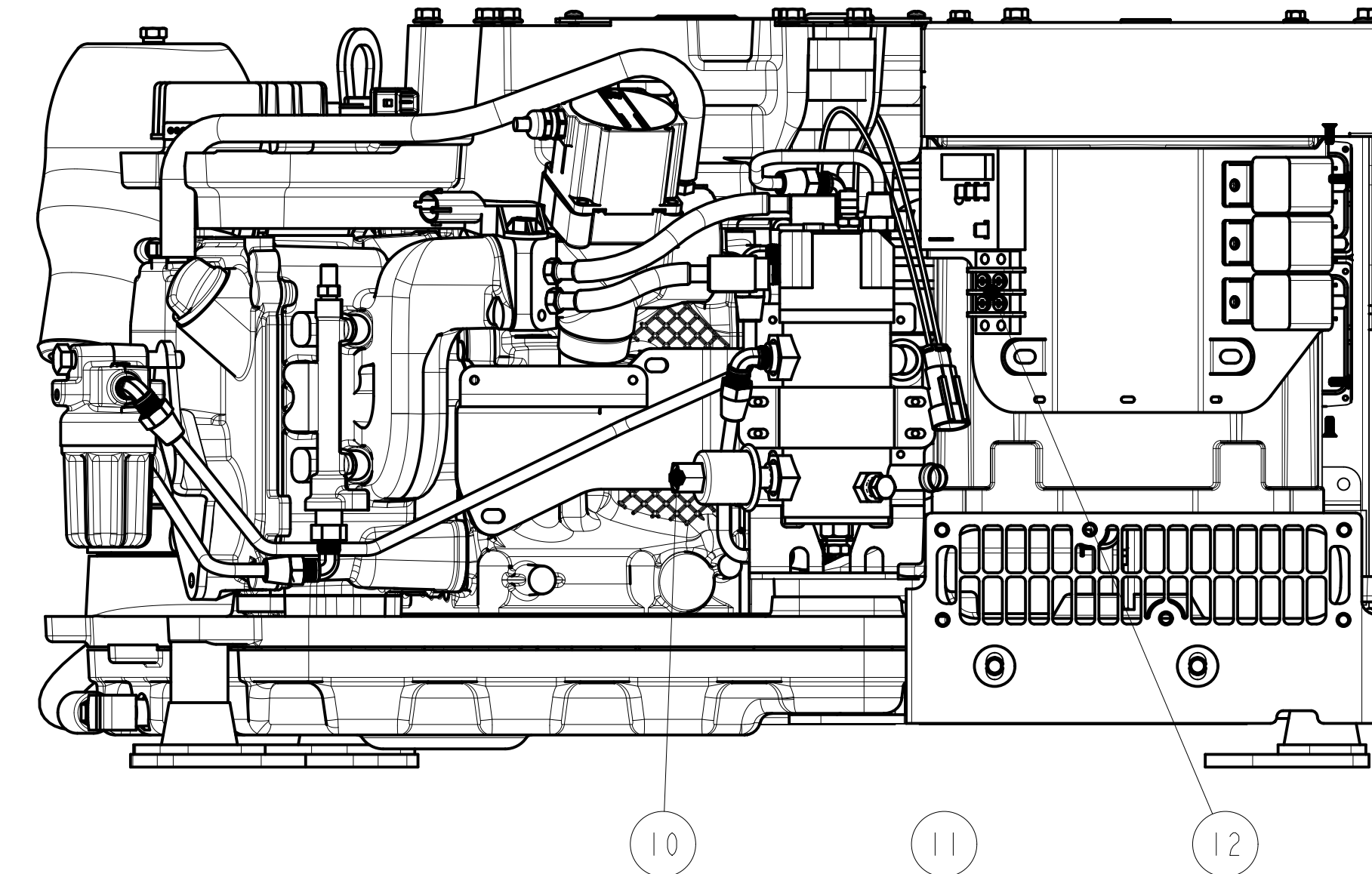
TOP



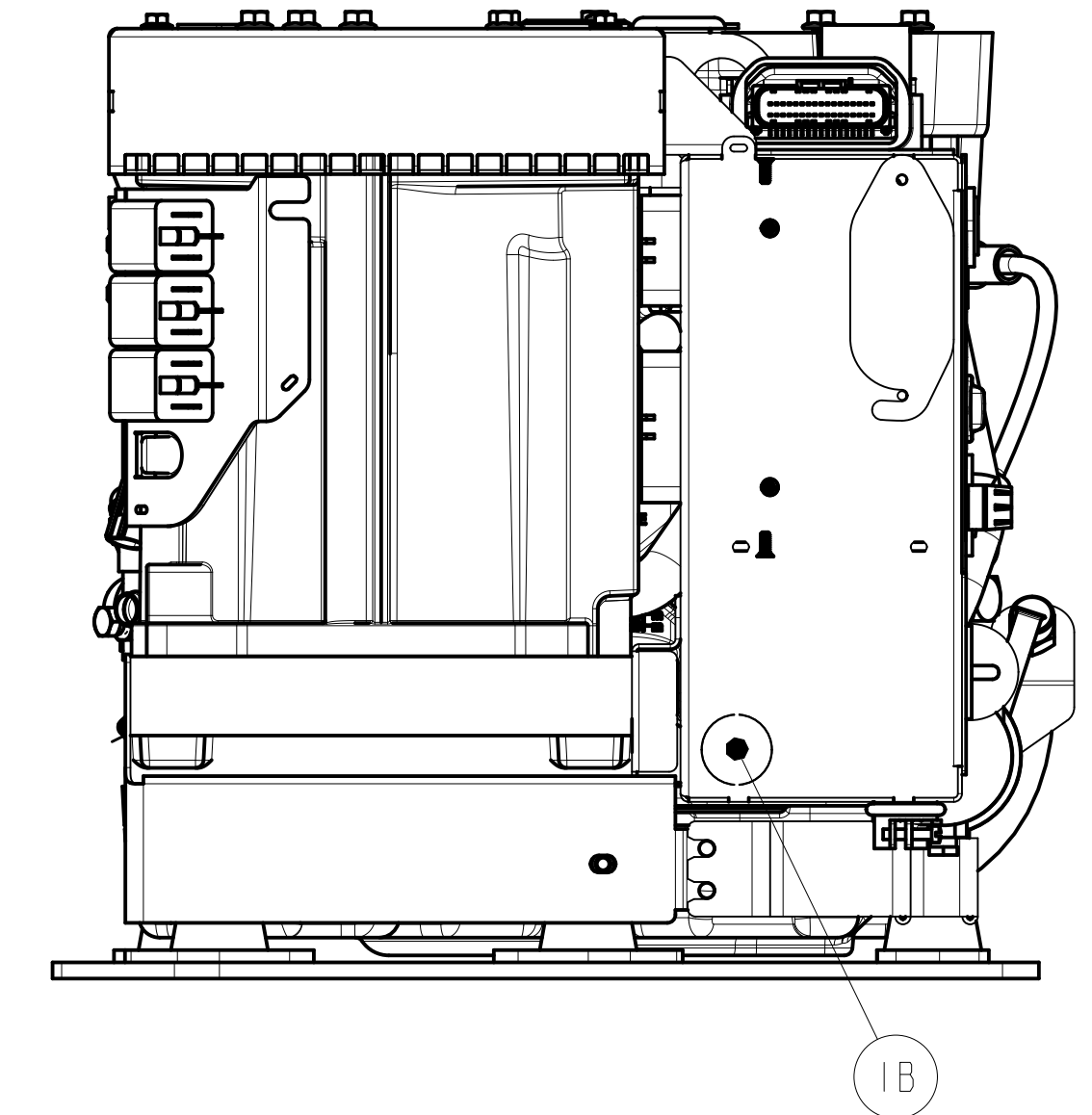
SERVICE SIDE



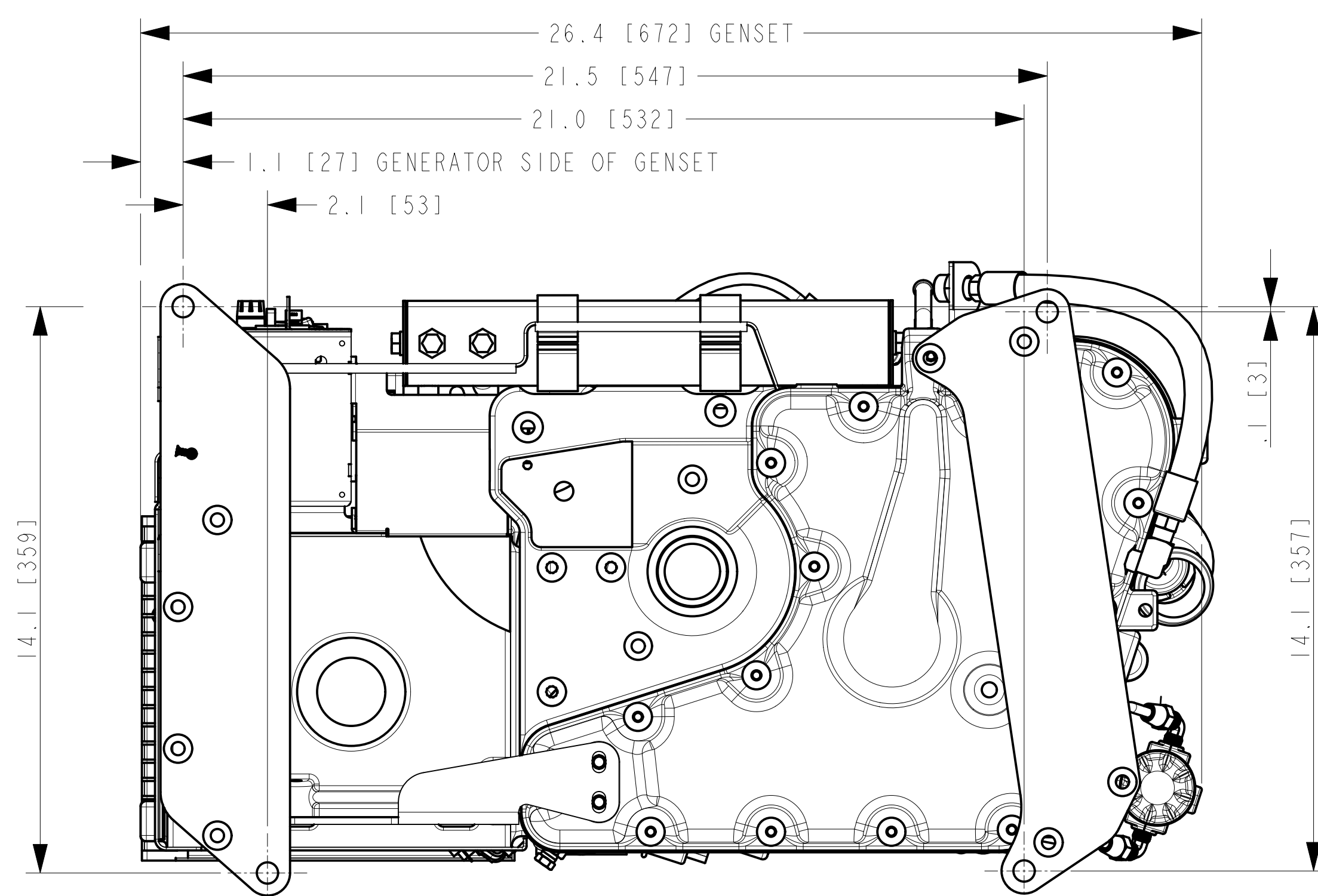
EXHAUST END



NON-SERVICE SIDE



GENERATOR END



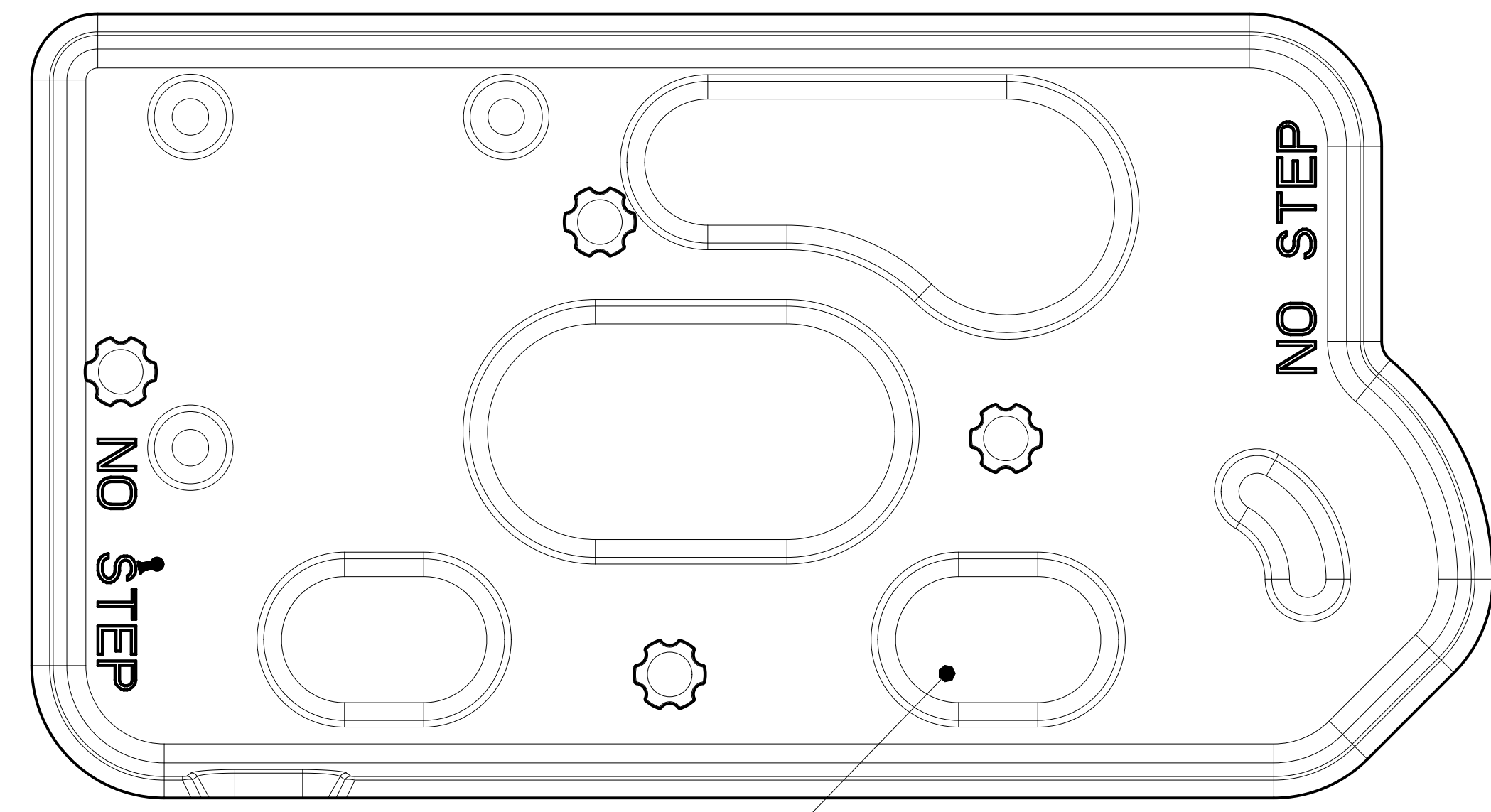
BOTTOM

ITEM	CONNECTIONS
1A	AC POWER
1B	AC POWER (OPTIONAL)
2	A/C CIRCUIT BREAKER
3	REMOTE PANEL
4	BATTERY (NEG), CONNECTS TO STARTER GROUND STUD
5	BATTERY (POS), CONNECTS TO STARTER SOLENOID
6	RAW WATER OUTLET (TO SIPHON BREAK), REQUIRES 1/2 IN ID HOSE TO CONNECT
7	RAW WATER INLET (FROM SIPHON BREAK), REQUIRES 1/2 IN ID HOSE TO CONNECT
8	COOLANT OVERFLOW, REQUIRES 5/16 IN ID HOSE TO CONNECT
9	WET EXHAUST, REQUIRES 2 IN ID HOSE TO CONNECT
10	FUEL LINE, REQUIRES 1/8-27 NPT MALE TO CONNECT
11	RAW WATER INLET, REQUIRES 1/2 IN ID HOSE TO CONNECT
12	FIRE BOY

NOTES (UNLESS OTHERWISE SPECIFIED)  
 1. DIMENSIONS: INCH [MM]  
 2. TOLERANCE: ±.375 [9.5]

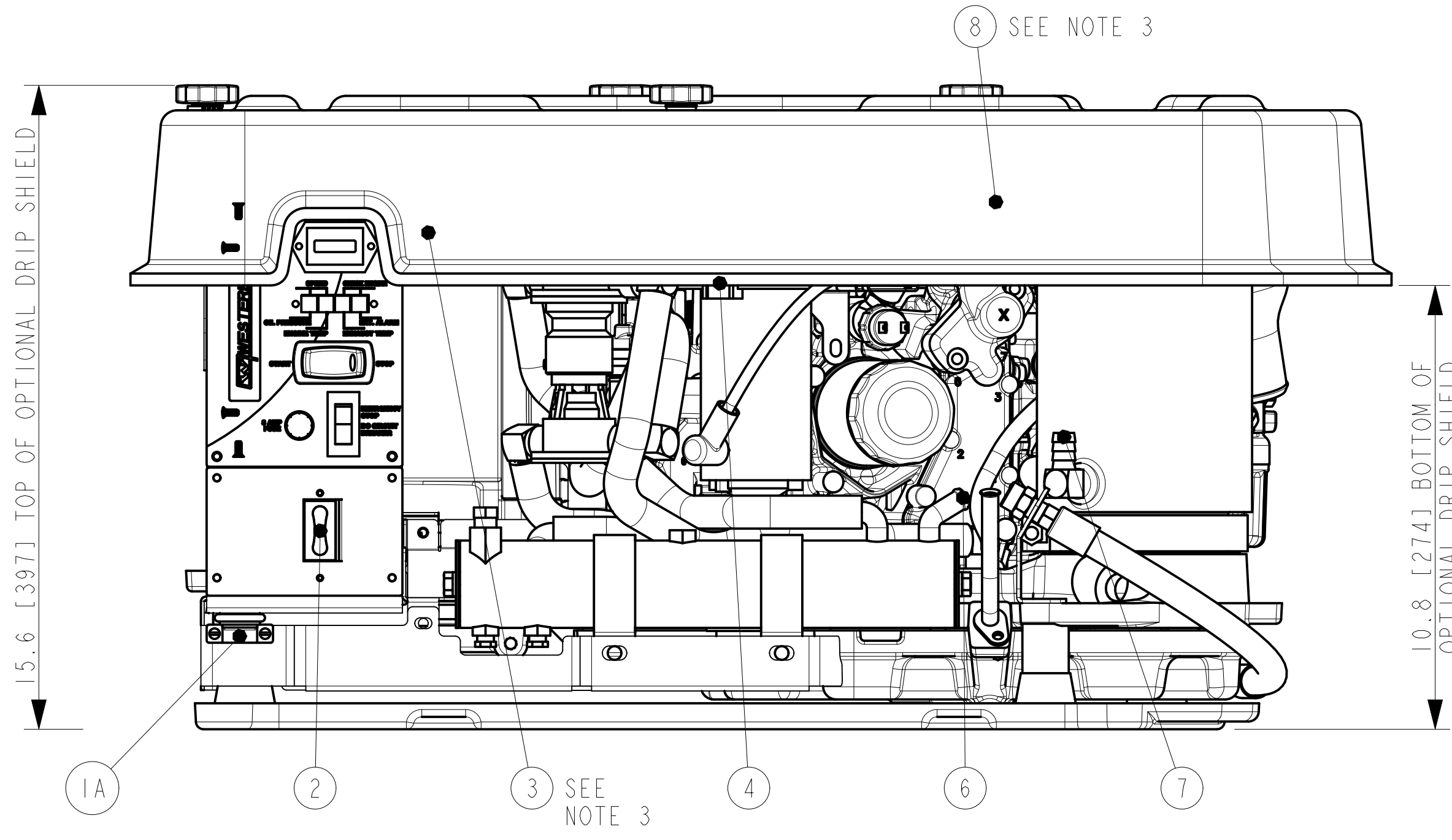
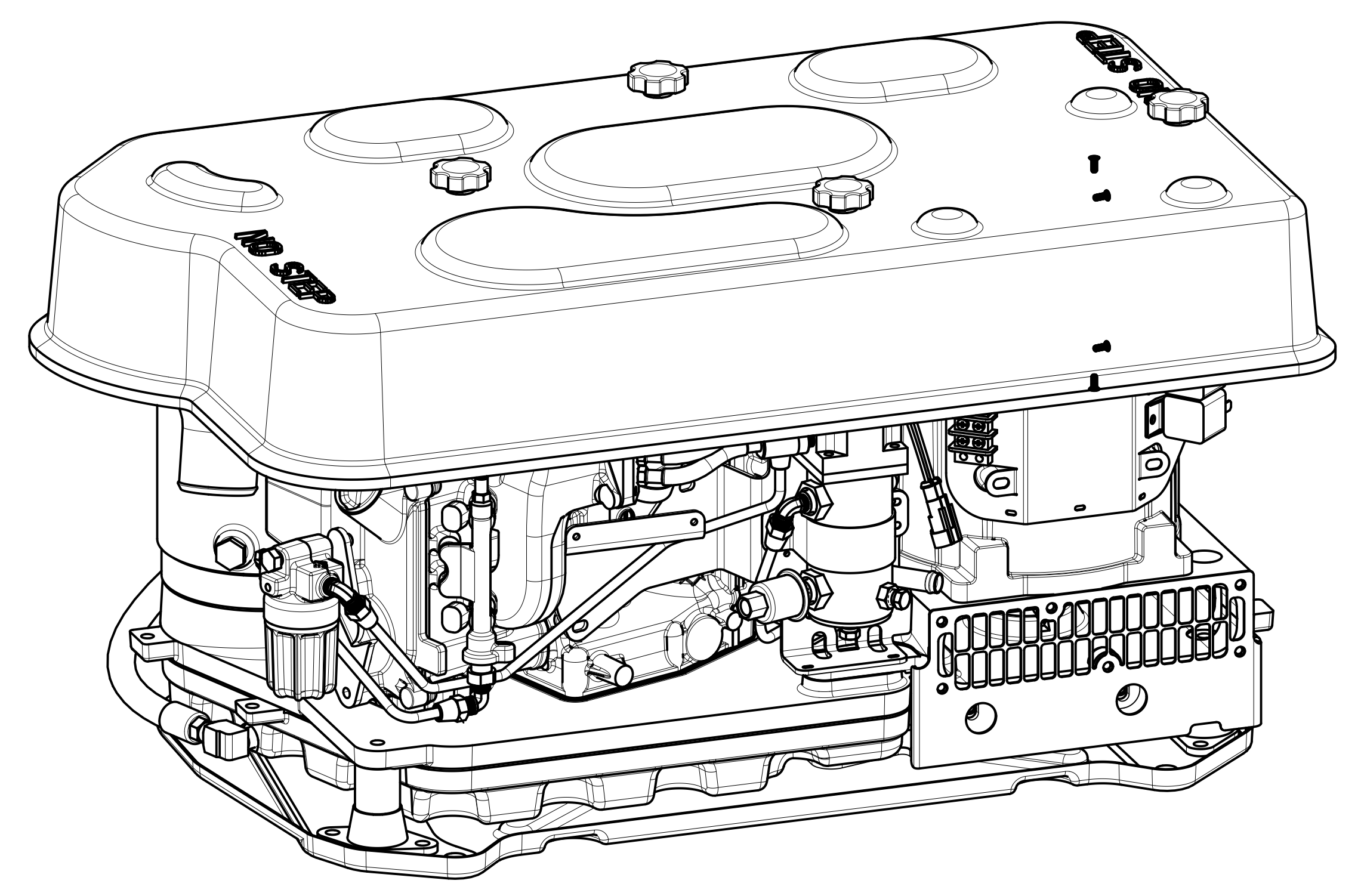
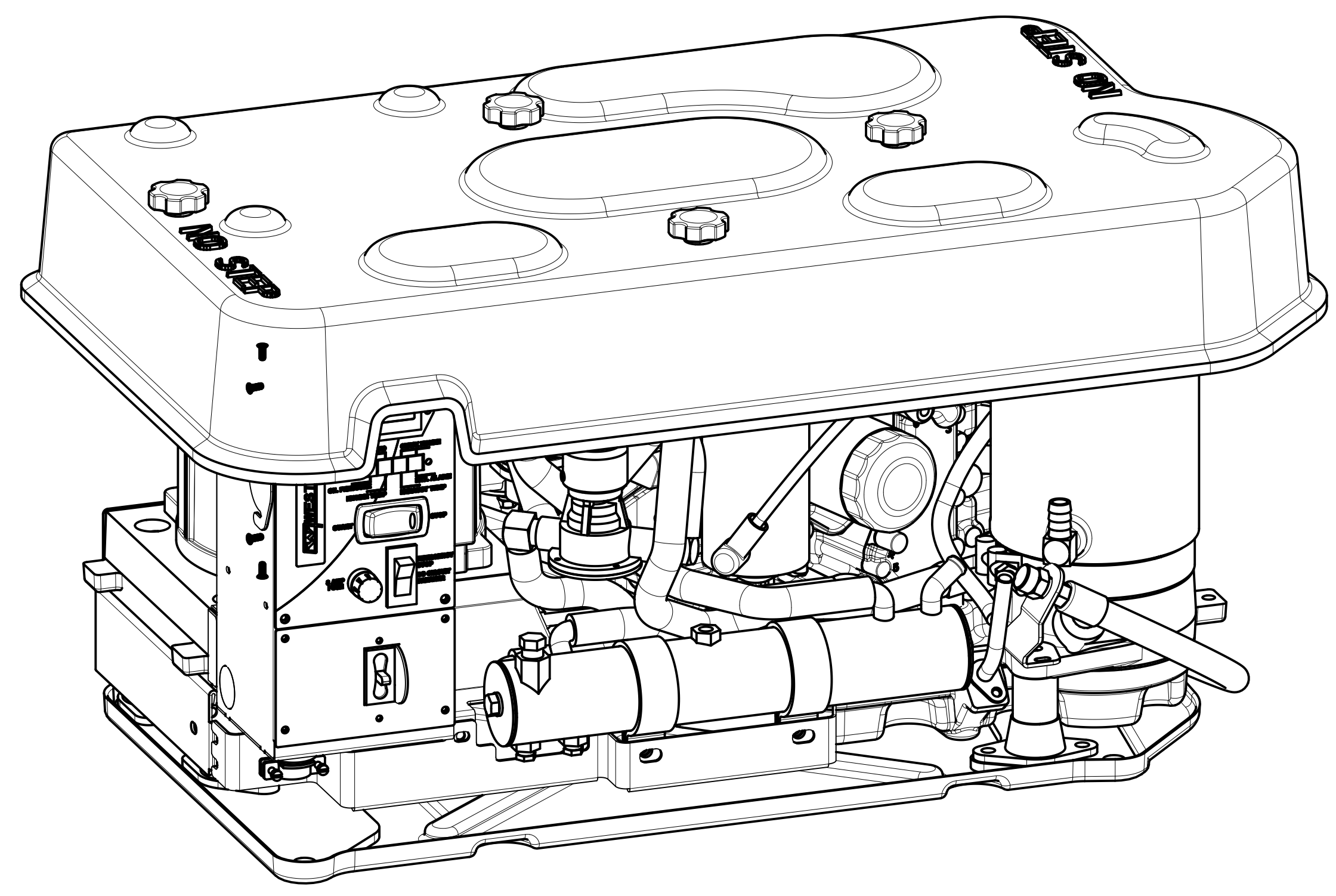
<b>TOLERANCES</b> UNLESS OTHERWISE SPECIFIED DIMENSIONS IN INCH (MM)		<b>WESTERBEKE</b> Engines & Generators	
INCHES: .0005 .0010 .0015 .0020 .0030 .0040 .0050 .0060 .0070 .0080 .0090 .0100 .0150 .0200 .0300 .0500 .1000 .1500 .2000 .3000 .5000 1.0000 2.0000 3.0000 4.0000 5.0000 6.0000 8.0000 10.0000 15.0000 20.0000 30.0000 40.0000 50.0000 75.0000 100.0000 150.0000 200.0000 300.0000 400.0000 500.0000 750.0000 1000.0000	MILLIMETERS: .025 .050 .075 .100 .150 .200 .300 .400 .500 .750 1.000 1.500 2.000 3.000 4.000 5.000 7.500 10.000 15.000 20.000 30.000 40.000 50.000 75.000 100.000 150.000 200.000 300.000 400.000 500.000 750.000 1000.000	TITLE: <b>DGINSTALL 3.5 MCGB</b>	DATE CREATED: 03/14/2024
DRAWN BY: EP	DATE: 03/14/2024	WATER MARK: SEE BOM	FINISH:
APPROVED BY:	DATE:	SCALE: 0.350	SIZE:
SHEET: 1 OF 2	DRAWING NUMBER: <b>E 58214</b>	REV:	

THIS DRAWING IS PROPRIETARY TO WESTERBEKE CORP. AND MAY NOT BE REPRODUCED OR COPIED WITHOUT THE WRITTEN PERMISSION OF WESTERBEKE CORP.

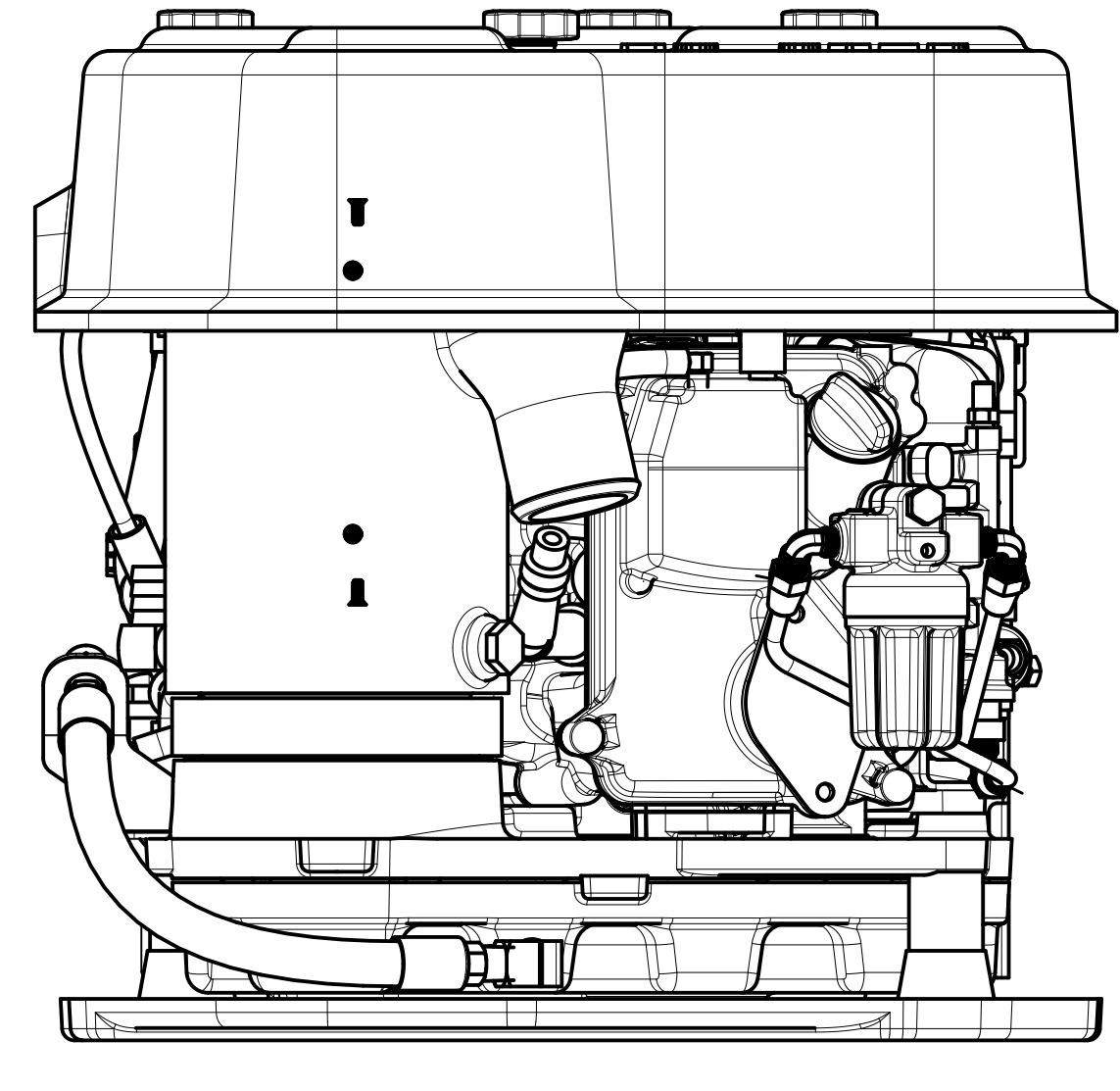


5 SEE NOTE 3

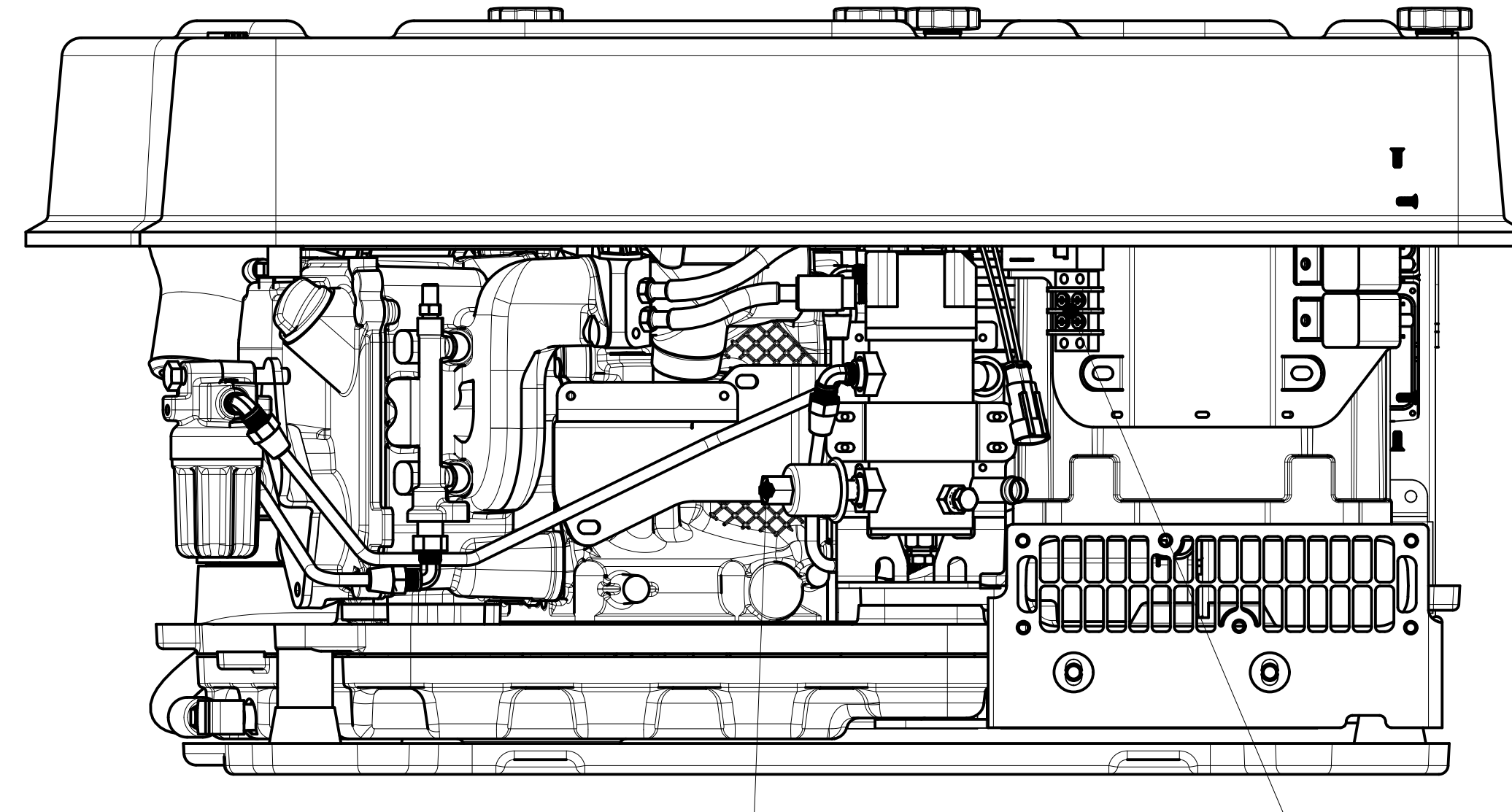
TOP



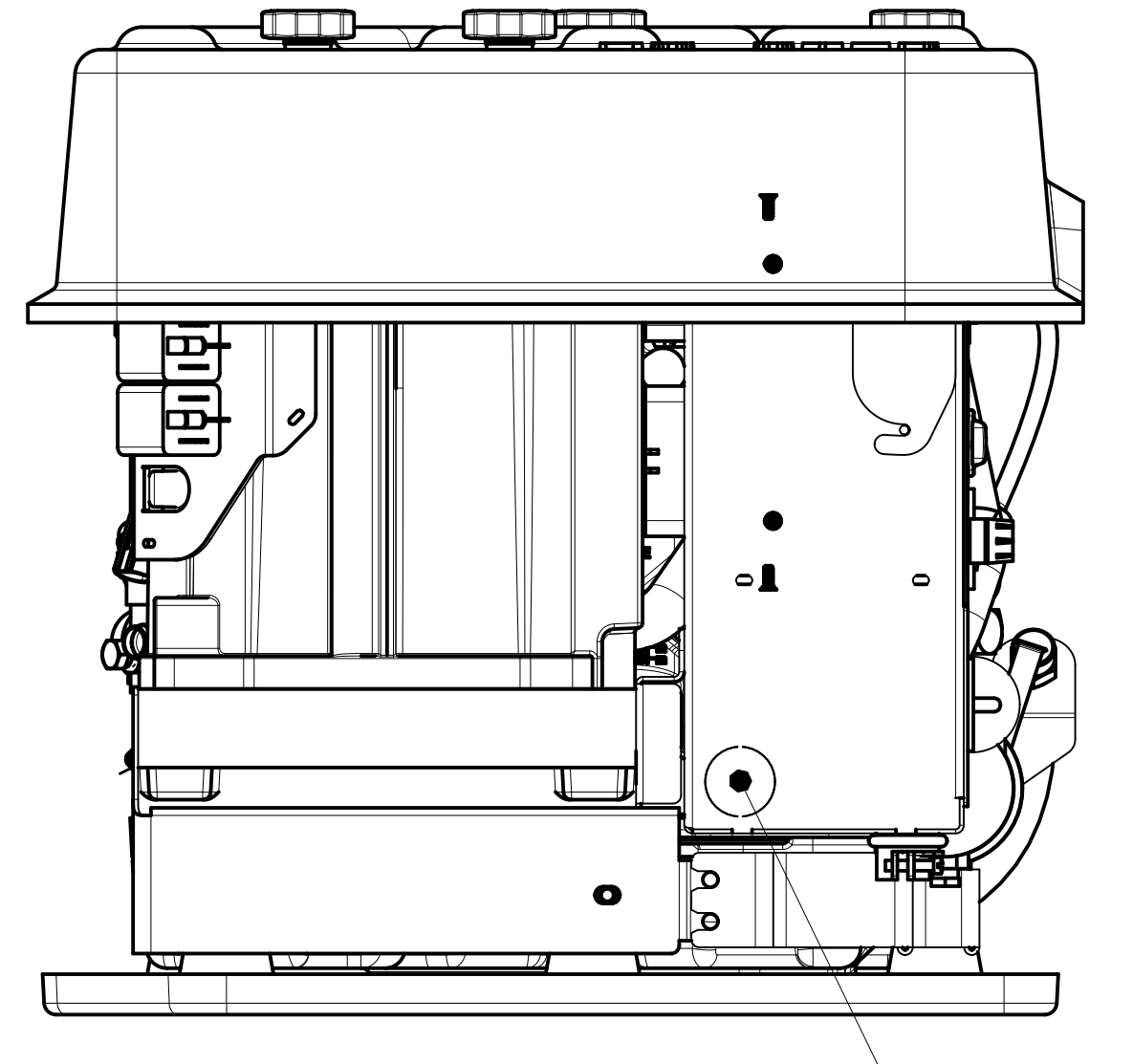
SERVICE SIDE



EXHAUST END

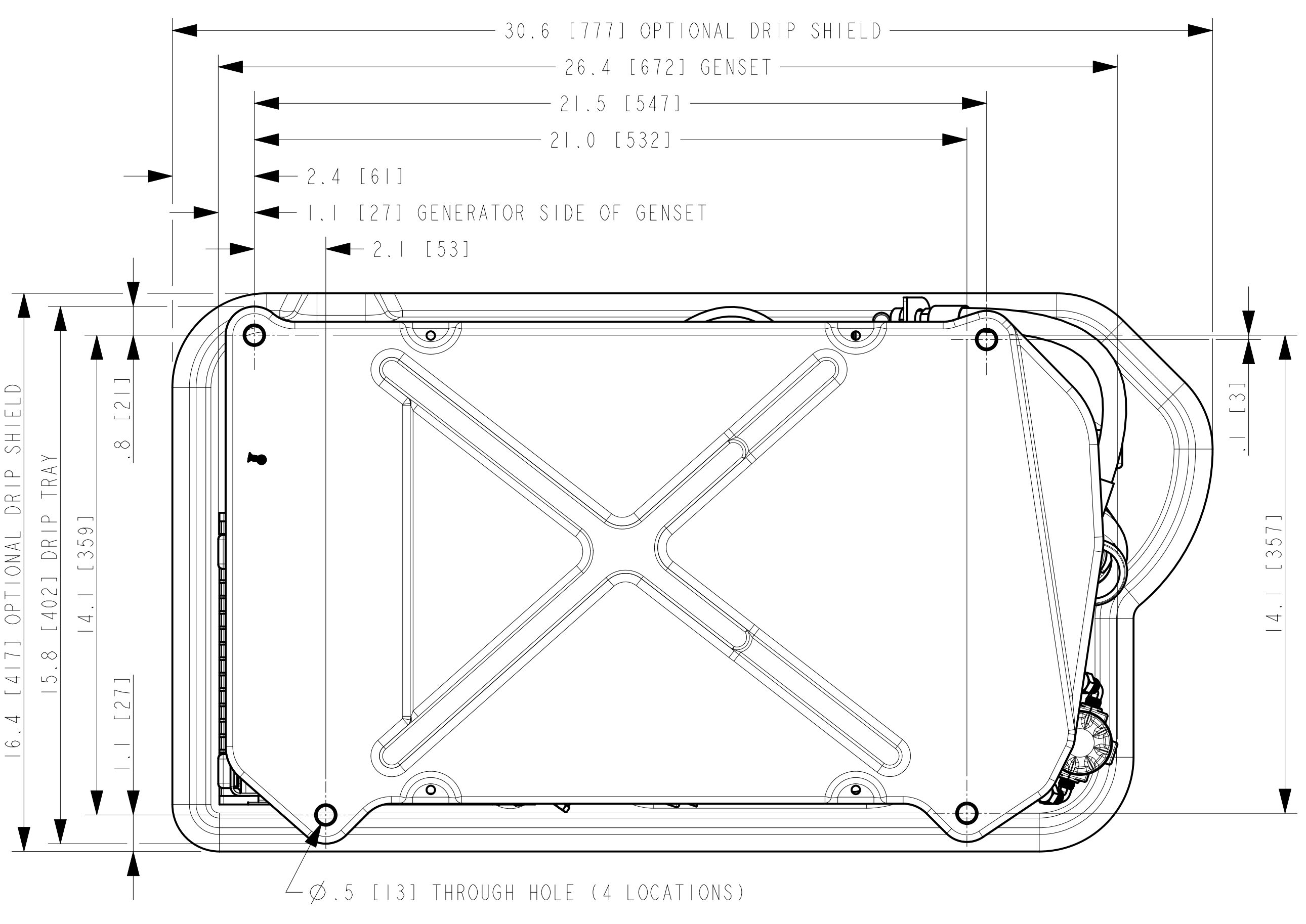


NON-SERVICE SIDE



GENERATOR END

SEE NOTE 3



BOTTOM

WITH OPTIONAL DRIP SHIELD

ITEM	CONNECTIONS
1A	AC POWER
1B	AC POWER (OPTIONAL)
2	A/C CIRCUIT BREAKER
3	REMOTE PANEL
4	BATTERY (NEG), CONNECTS TO STARTER GROUND STUD
5	BATTERY (POS), CONNECTS TO STARTER SOLENOID
6	RAW WATER OUTLET (TO SIPHON BREAK), REQUIRES 1/2 IN ID HOSE TO CONNECT
7	RAW WATER INLET (FROM SIPHON BREAK), REQUIRES 1/2 IN ID HOSE TO CONNECT
8	COOLANT OVERFLOW, REQUIRES 5/16 IN ID HOSE TO CONNECT
9	WET EXHAUST, REQUIRES 2 IN ID HOSE TO CONNECT
10	FUEL LINE, REQUIRES 1/8-27 NPT MALE TO CONNECT
11	RAW WATER INLET, REQUIRES 1/2 IN ID HOSE TO CONNECT
12	FIRE BOY

NOTES (UNLESS OTHERWISE SPECIFIED)  
 1. DIMENSIONS: INCH [MM]  
 2. TOLERANCE: ± .375 [9.5]  
 3. OBSTRUCTED BY OPTIONAL DRIP SHIELD

<b>TOLERANCES</b> UNLESS OTHERWISE SPECIFIED DIMENSIONS IN INCH (MM)		<b>WESTERBEKE</b> Engine & Generators <small>150 JOHN HANCOCK RD.          EASTON, MA 02145          (508) 823-1671</small>	
INCHES: .0005 .0010 .0015 .0020 .0030 .0040 .0050 .0060 .0070 .0080 .0090 .0100 .0150 .0200 .0300 .0400 .0500 .0600 .0700 .0800 .0900 .1000 .1500 .2000 .3000 .4000 .5000 .6000 .7000 .8000 .9000 1.0000	MILLIMETERS: .01 .02 .03 .04 .05 .06 .07 .08 .09 .10 .15 .20 .30 .40 .50 .60 .70 .80 .90 1.00 1.50 2.00 3.00 4.00 5.00 6.00 7.00 8.00 9.00 10.00	TITLE: <b>DGINSTALL 3.5 MCGB</b>	DATE CREATED: 03/14/2024 DRAWN BY: EP CHECKED BY: EP APPROVED BY: EP DATE: 03/14/2024 SCALE: 0.350 SHEET: 2 OF 2 DRAWING NUMBER: <b>58214</b> REV: -